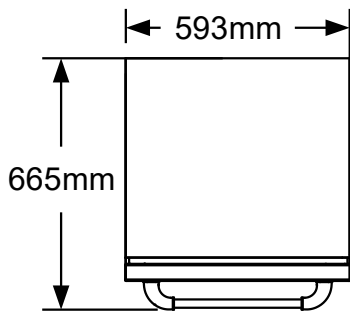
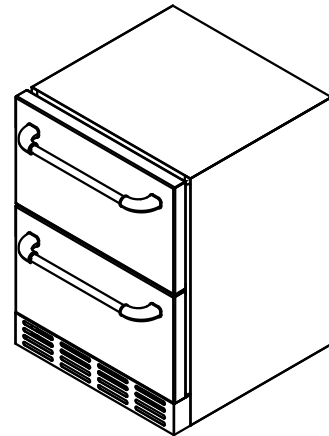




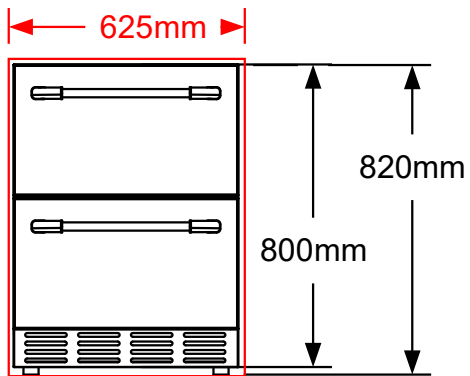
ITEM: #17400CE
PREMIUM OUTDOOR DOUBLE FRIDGE



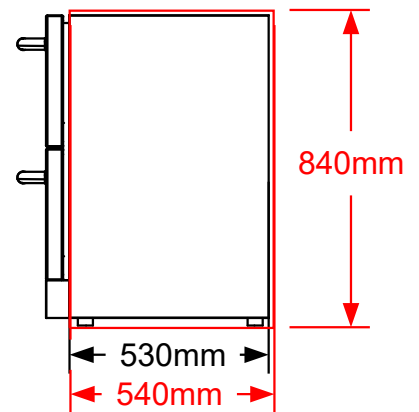
Top View



Isometric View



Front View



Side View

SPEC SHEET NOTES:

- 1. CUTOUT DIMENSIONS: 625L X 540D X 840H
- 2. SCALE: 1 : 20
- 3. REVISION: 06/2020

Printer page scaling none, do not use fit to printable area option