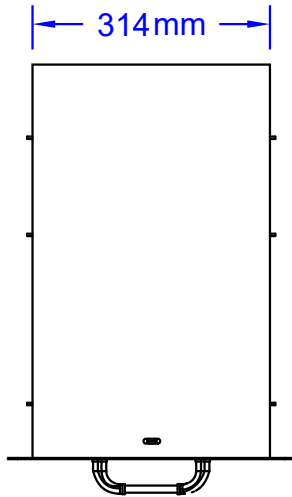


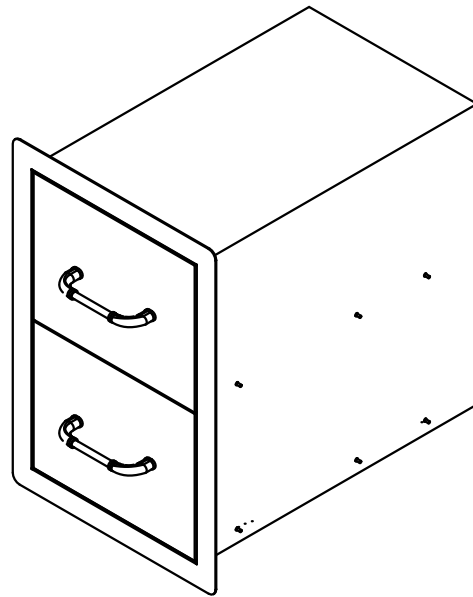


ITEMS: #56985

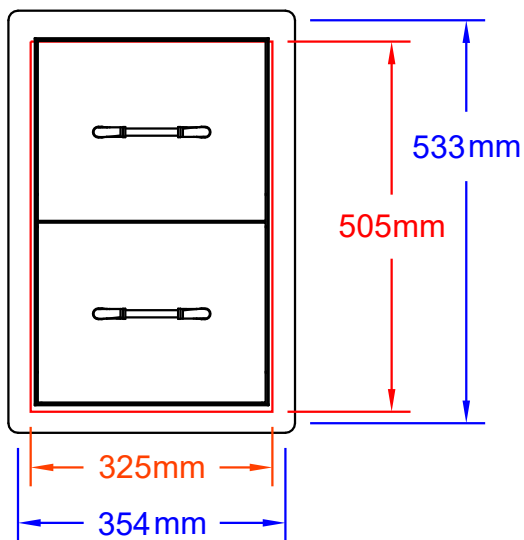
DOUBLE DRAWER



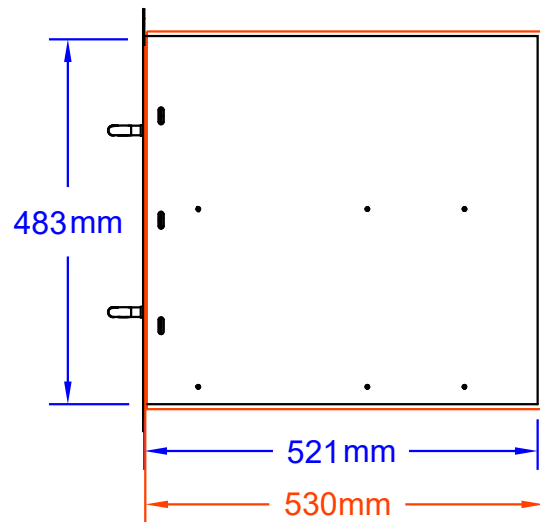
Top View



Isometric View



Front View



Side View

SPEC SHEET NOTES:

1. CUT DIMENSION 325L X 530D X 495H

2. SCALE: 1 : 10( Printer page scaling none, do not use fit to printable area option)

3. REVISION: 08/2019