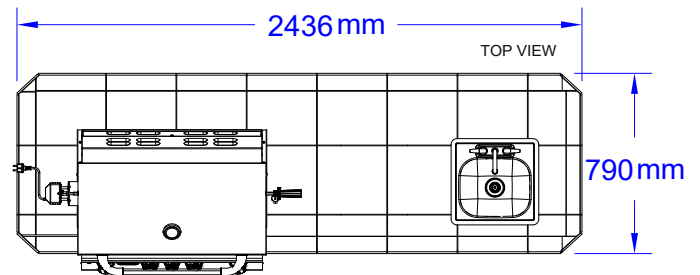
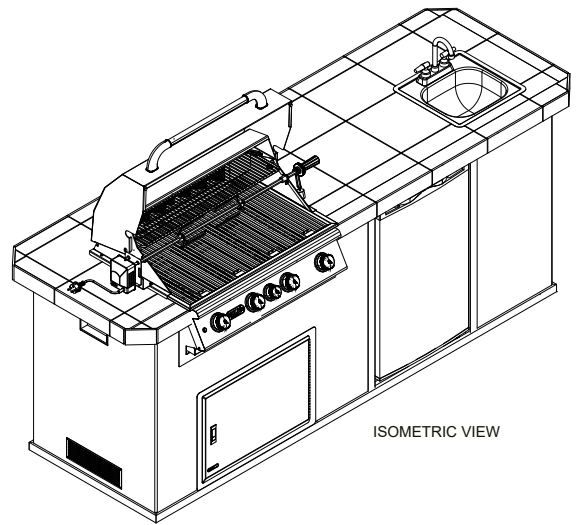
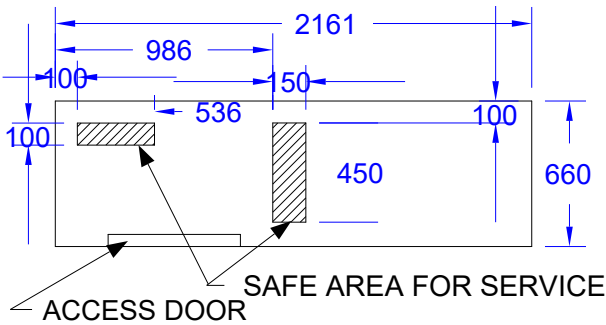


ODK Outdoor Kitchen - Standard



This Outdoor Kitchen is one of our first and most complete outdoor barbecue kitchens, provides a backyard entertainment centre and the space to handle all of your outdoor grilling needs. This is the ultimate grilling & entertaining station.



Standard Features	Stucco #31010	Standard Features	Stucco #31010
Recommended Use.	Commercial / Residential	Upgrade S/Steel Lining with middle shelf for Above.	Vertical Door #LINVD / Double Door #LINDD76 Combos #LINC076
Grill Type as Standard.	Angus #47628CE / #47629CE	Upgradeable Drawers Single Drawer #09970 can fit only with #89970 when under a Grill.	Single Drawer #09970 / Large Drawer #09980 Double Drawer #56985 Gas Drawer #55712 / Trash Drawer 56925
Standard Fridge #11002.	✓	Optionals.	
Stucco Base Standard.	✓	Grill Frame optional.	#49328
Tile Top 30cm x 30cm with Bullnose Single Tone or 2-Tone.	✓	Side Burner optional.	#60008 / #60009
Horizontal Access Door with Lock & Key #89970	✓	Fridge optional.	#13700
Power outlet & Switch.	✓	Bar Caddy optional.	#85624
Sink & Faucet Standard ✓ or N/A ✗	✓	Cutting Board optional.	#66007
Structure Dimensions.		Bottle Opener optional #66006.	✓
Base Footprint Size.	216 x 70 cm	Large vertical door option for gas bottle insertion from SIDE. No linings possible on face.	#89978 Right
Top Size.	243 x 79 cm	Warranty Details.	
Upgrades and Downgrades of Optional Grills within the same size kitchen structure. Brahma add 102MM to Base and Top.	Bison #67529 Lonestar #87048/9 Brahma #57568/9	Island Structure.	2 years
Upgrade Base Options	Stucco Rock #12397/Rock/Gres Upgrade #33006	Kitchen Top.	2 years
Upgrade from Tile Top To Solid Gres Coverlam and Stainless Steel Bullnose.	#43006	Gas Flexible Hose. *As per international Gas Safety Regulations.	*2 years *Must replace every 2 years.
Upgrade Stainless Steel Lining with middle shelf for #89970	#LINHD	Packing Dimensions.	
Upgradeable Doors Angus match Codes Only.	Vertical Door #89975 Double Door #33568 Door/Drawer Combo #25876 Trash/Door Combo #65784	Wooden Crate Length.	261 cm
		Wooden Crate Width.	100 cm
		Wooden Crate Height.	212 cm
		Wooden Crate Cube.	5.53 cm
		Complete Crated Weight.	Stucco 400.00Kg - Rock 515.00Kg